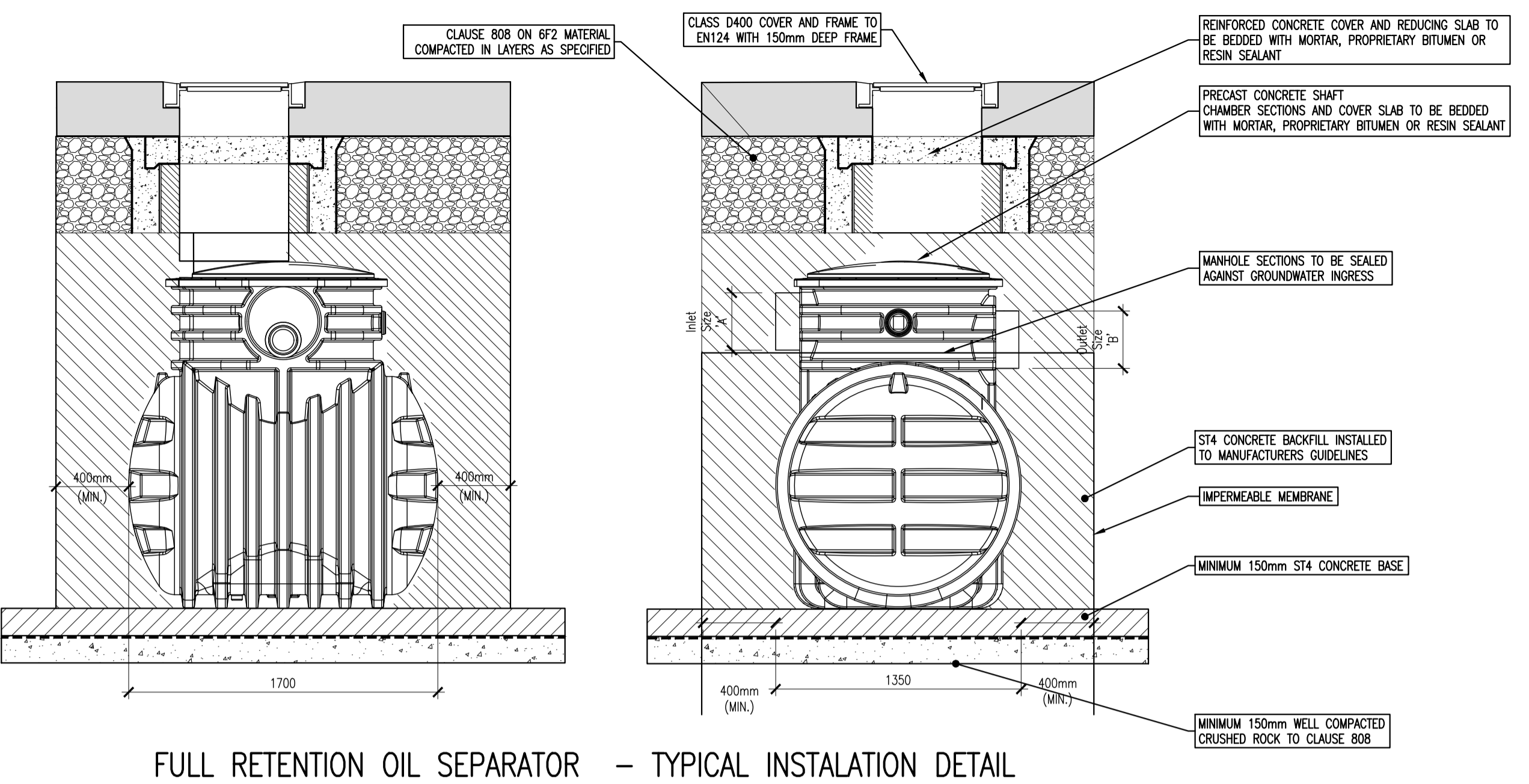
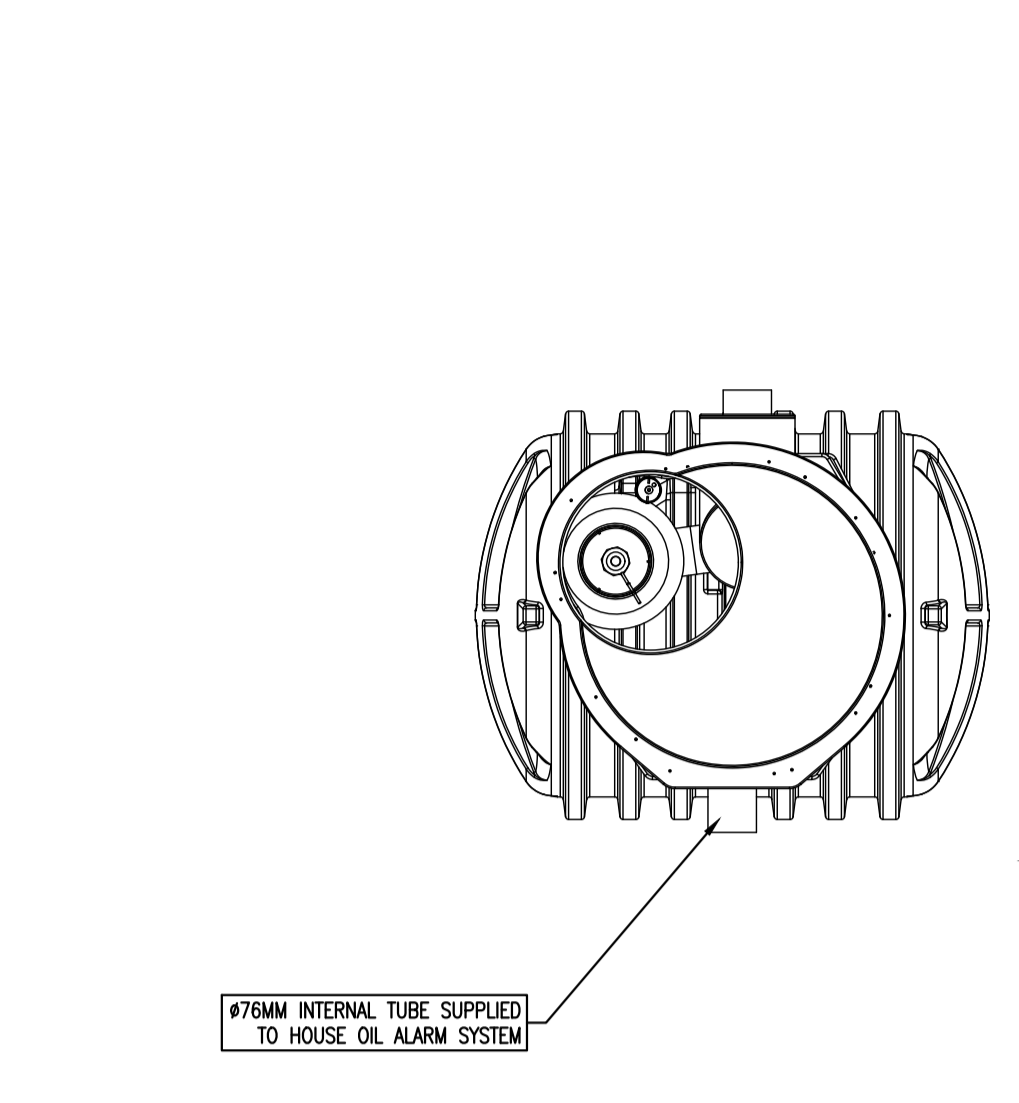
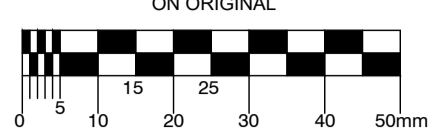


DIMENSIONS

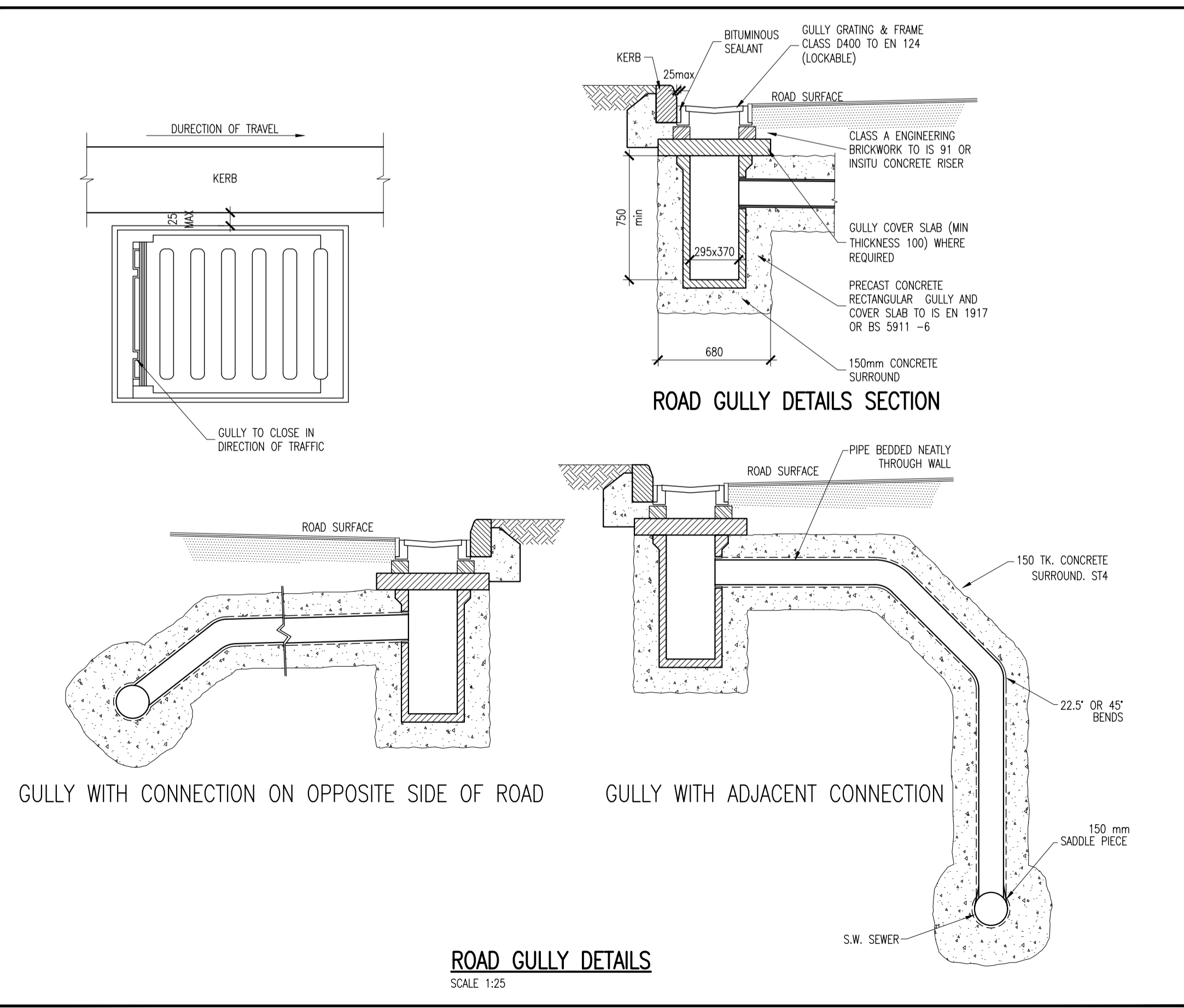
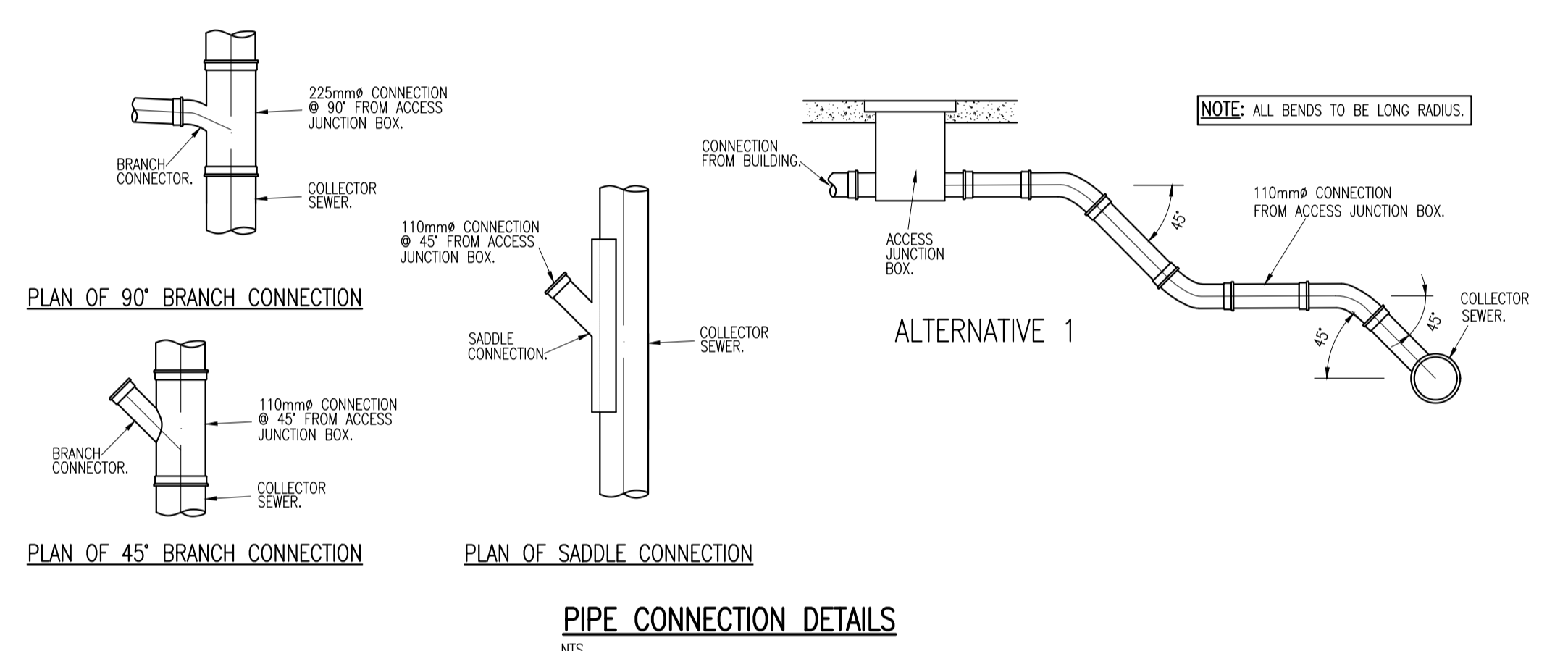
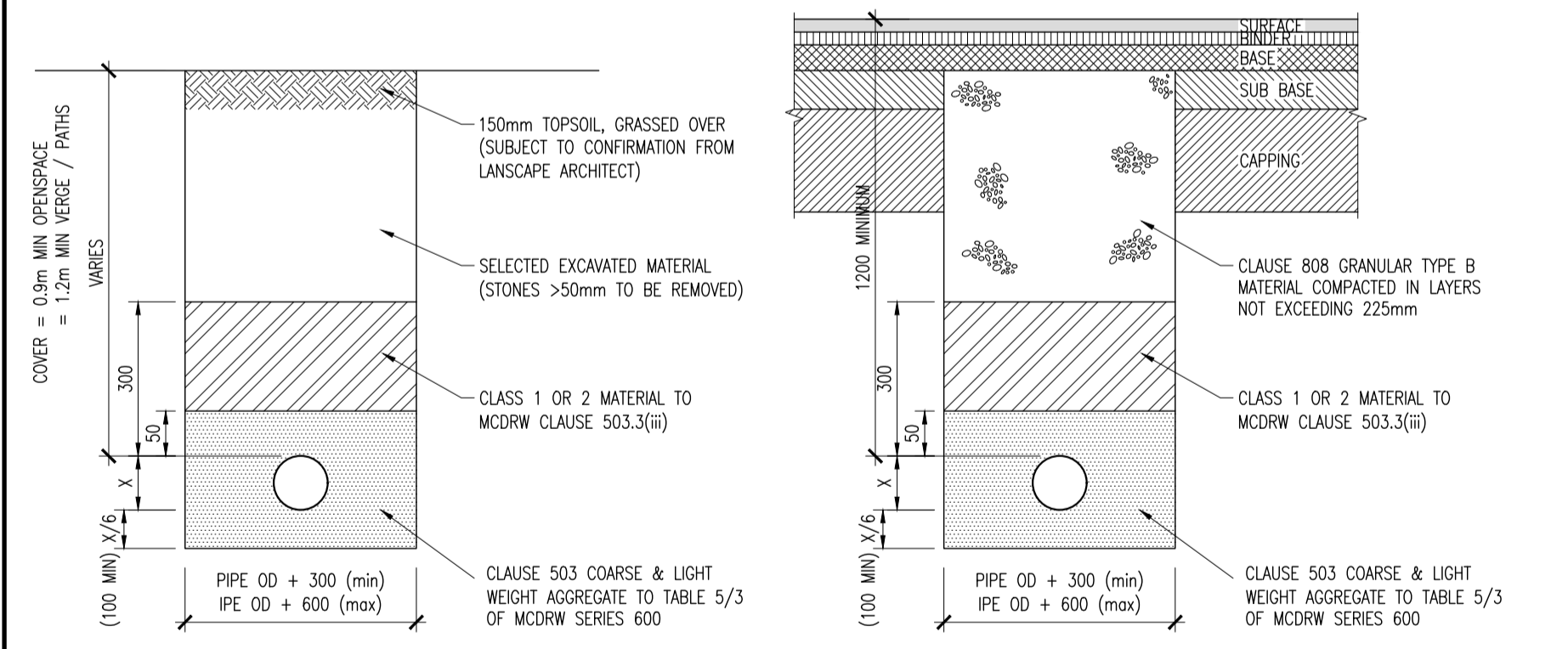
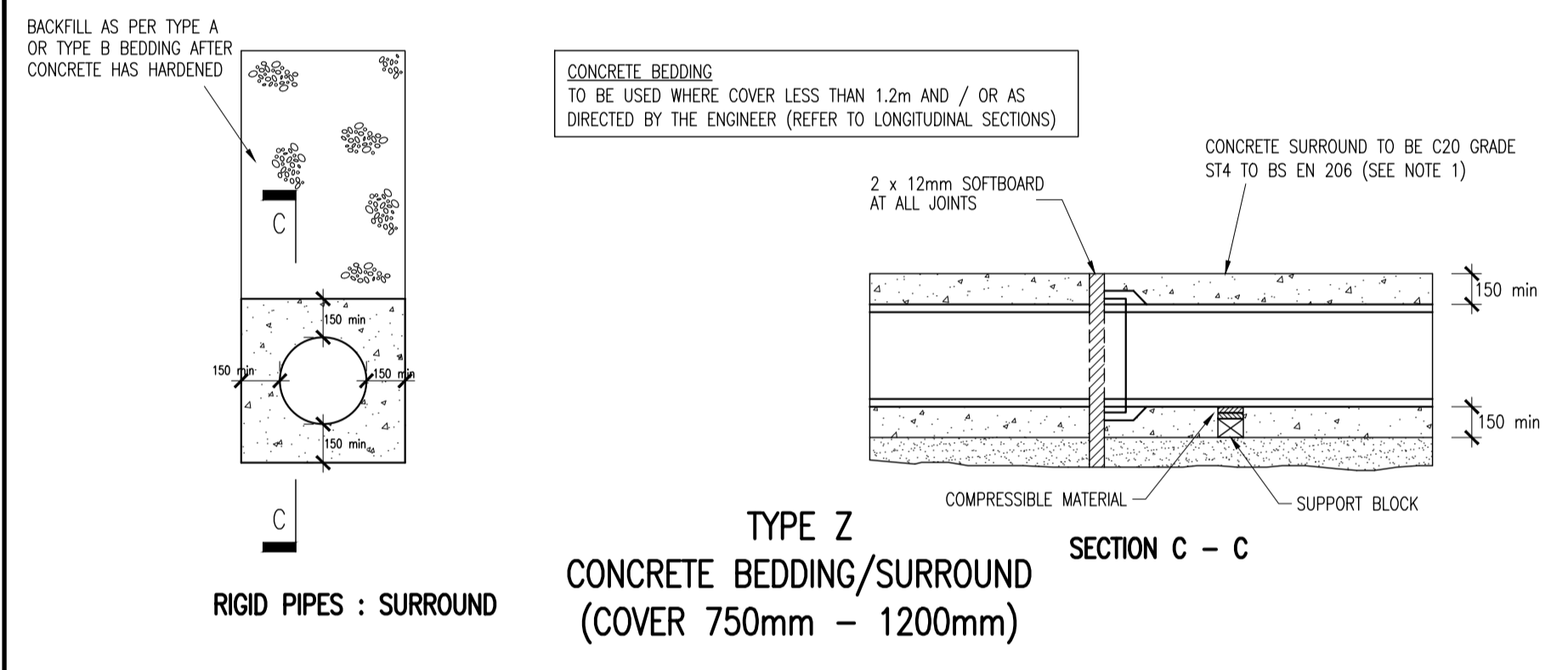
UNIT REF No.	NOMINAL FLOW	STD. PIPE Ø	FALL ACROSS UNIT	INLET SIZE 'A'	INLET SIZE 'B'
NSFA020	20 L/S	315	50	315	315



© COPYRIGHT OF THIS DRAWING IS RESERVED BY DBFL CONSULTING ENGINEERS. NO PART SHALL BE REPRODUCED OR TRANSMITTED WITHOUT THEIR WRITTEN PERMISSION.



- NOTES:
- TYPE 1 GRANULAR MATERIAL : BROKEN STONE OR GRAVEL TO PASS 10mm SIEVE AND BE RETAINED ON 5mm SIEVE.
  - TYPE 2 GRANULAR MATERIAL : BROKEN STONE OR GRAVEL TO PASS 10mm - 25mm SIEVE, ACCORDING TO PIPE SIZE, (SEE TABLE) AND BE RETAINED ON 5mm SIEVE.
  - CLAUSE 601 S.R.W. BACKFILL : UNIFORM READILY COMPACTED MATERIAL FREE FROM TREE ROOTS, VEGETABLE MATTER, BUILDING DEBRIS, AND FROZEN SOIL AND EXCLUDING CLAY LUMPS RETAINED ON A 75mm SIEVE AND STONES RETAINED ON A 37.5mm SIEVE.
  - GULLY GRATINGS AND FRAMES SHALL COMPLY WITH THE REQUIREMENTS OF I.S./E.N./124 1994. GULLIES SHALL BE CLASS D400.
  - GULLY WALLS SHALL BE CONSTRUCTED IN CLASS 30N/mm<sup>2</sup> PRECAST OR INSITU CONCRETE OR ALTERNATIVELY IN SOLID CONCRETE BLOCKS DESIGNATED S10, STRENGTH 10N/mm<sup>2</sup>
  - ALL PIPES TO BE BEDDED IN ACCORDANCE WITH MANUFACTURERS RECOMMENDATIONS



REV.	DATE	DESCRIPTION	BY	CHKD.
<b>STAGE 3 PLANNING</b>				
DESIGNED	SPB	PREPARED	ICD	
DATE	NOV 2019	CHECKED	DJR	

**DBFL** Dublin Office: Ormrod House, Upper Ormrod Quay, Dublin 7, Ireland. PHONE +353 1 400 4000 FAX +353 1 400 4050

Waterford Office: Unit 2, The Chandlery, 1-2 O'Connell Street, Waterford, Ireland. PHONE +353 51 308 500 FAX +353 51 844 913

DBFL Consulting Engineers email: info@dbfl.ie www: www.dbfl.ie

PROJECT  
**LANDS AT CRODAUN, CELLBRIDGE, CO. KILDARE**

DRG. TITLE  
**TYPICAL DRAINAGE DETAILS SHEET 2**

CLIENT  
**ARDSTONE CAPITAL LTD**

SCALE	AS SHOWN @A1	FILE REF.	170099-3016
DRG. NO.	170099-170099-3016		